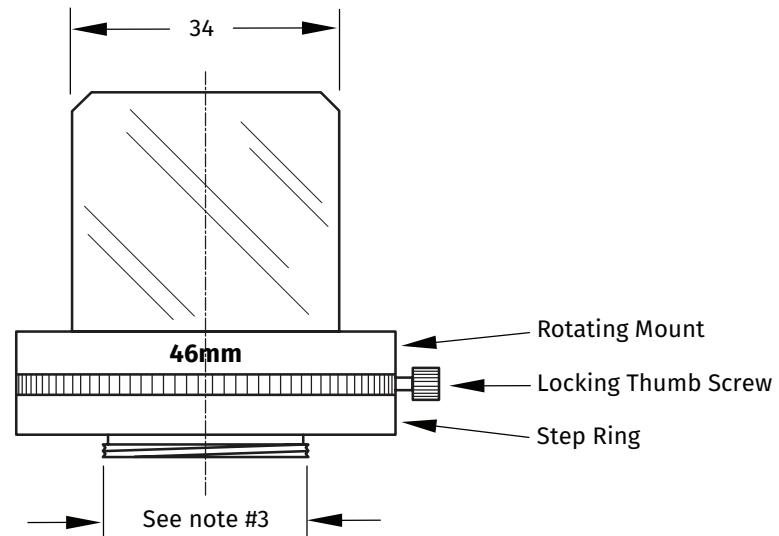


Rotating Right Angle Assembly

Fully adjustable through 360°, the assembly locks into position with a thumb screw to guard against moving out of line by vibration or other means. It threads onto lenses from M25.5 to M43 by means of a Step Ring, or onto similar sized unthreaded lenses by using a Slip Mount.



NOTES:

1. Rotating mount ring is black anodized aluminum.
2. Prism active faces are A/R coated. Side faces are ground and blackened.
3. Step ring adapts the 46mm mount to lens filter threads with diameters of M25.5 to M43.
4. Not to scale. Dimensions in mm.

MIDOPT
MIDWEST OPTICAL SYSTEMS, INC.

Machine Vision Filters, Lenses and Accessories
322 Woodwork Lane, Palatine IL 60067
P: 847-359-3550 | info@midopt.com
www.midopt.com

Rotating Right Angle

Part No.: RA034-Size