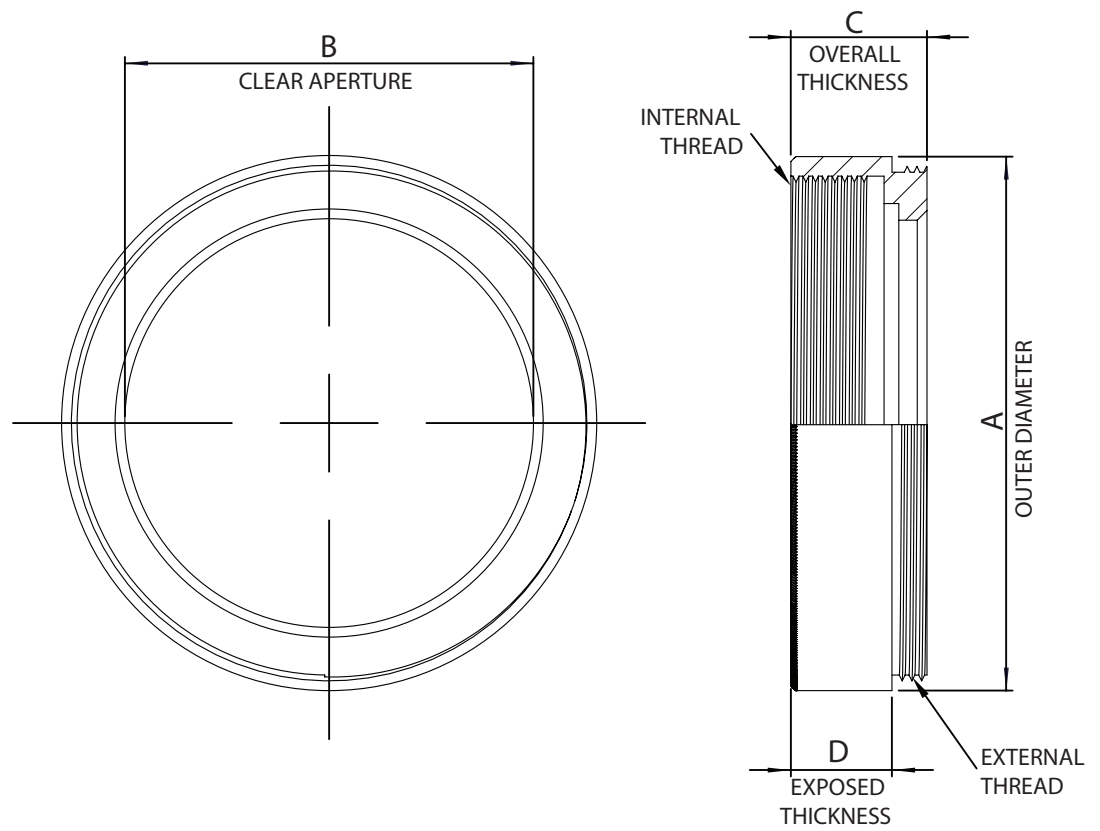


NOTES:

1. Inner and outer threads are of the same size and pitch.
2. Filter mount and retaining ring are black anodized aluminum.
3. All dimensions indicated in mm.

| Mount Size | A | B | C | D |
|---------------|-------|------|-----|-----|
| M13.25 x P0.5 | 14.4 | 10.6 | 7.5 | 5.7 |
| M22.5 x P0.5 | 24 | 18.5 | 7 | 5.2 |
| M25.5 x P0.5 | 27.5 | 21 | 7 | 5.2 |
| M27 x P0.5 | 29 | 22.5 | 7 | 5.2 |
| M30.5 x P0.5 | 32.5 | 25.5 | 7 | 5.2 |
| M34 x P0.5 | 36 | 29 | 7 | 5.2 |
| M35.5 x P0.5 | 37.5 | 30.5 | 7 | 5.2 |
| M37 x P0.75 | 39 | 31.9 | 6.5 | 4.5 |
| M37.5 x P0.5 | 39.5 | 32.5 | 7.2 | 5.2 |
| M39 x P0.5 | 41 | 34 | 7 | 5.2 |
| M40.5 x P0.5 | 42.5 | 35.5 | 7 | 5.2 |
| M43 x P0.75 | 45 | 38 | 7 | 5.2 |
| M46 x P0.75 | 48 | 41 | 7 | 5.2 |
| M48 x P0.75 | 50 | 43 | 7 | 5.1 |
| M49 x P0.75 | 51 | 44 | 7 | 5.2 |
| M52 x P0.75 | 54 | 47 | 7 | 5.2 |
| M55 x P0.75 | 57 | 50 | 7 | 5.2 |
| M58 x P0.75 | 60 | 52.9 | 6.5 | 4.5 |
| M62 x P0.75 | 64 | 57.1 | 7 | 5.2 |
| M67 x P0.75 | 70 | 61.8 | 6.5 | 4.5 |
| M72 x P0.75 | 75 | 66.9 | 6.5 | 4.5 |
| M77 x P0.75 | 80 | 73.1 | 8.3 | 5.9 |
| M82 x P0.75 | 84 | 77.5 | 8 | 5.5 |
| M86 x P1.0 | 89 | 80.8 | 6.5 | 4.5 |
| M95 x P1.0 | 98.2 | 89.9 | 10 | 7.1 |
| M105 x P1.0 | 109.8 | 100 | 11 | 8 |



Machine Vision Filters, Lenses and Accessories
 322 Woodwork Lane, Palatine IL 60067
 P: 847-359-3550 | info@midopt.com
 www.midopt.com

Threaded Filter Mounts